





# RUNNER SPARE PART FOR HALF PALLET

MEDIUM LOGIC / PRO 0806-R

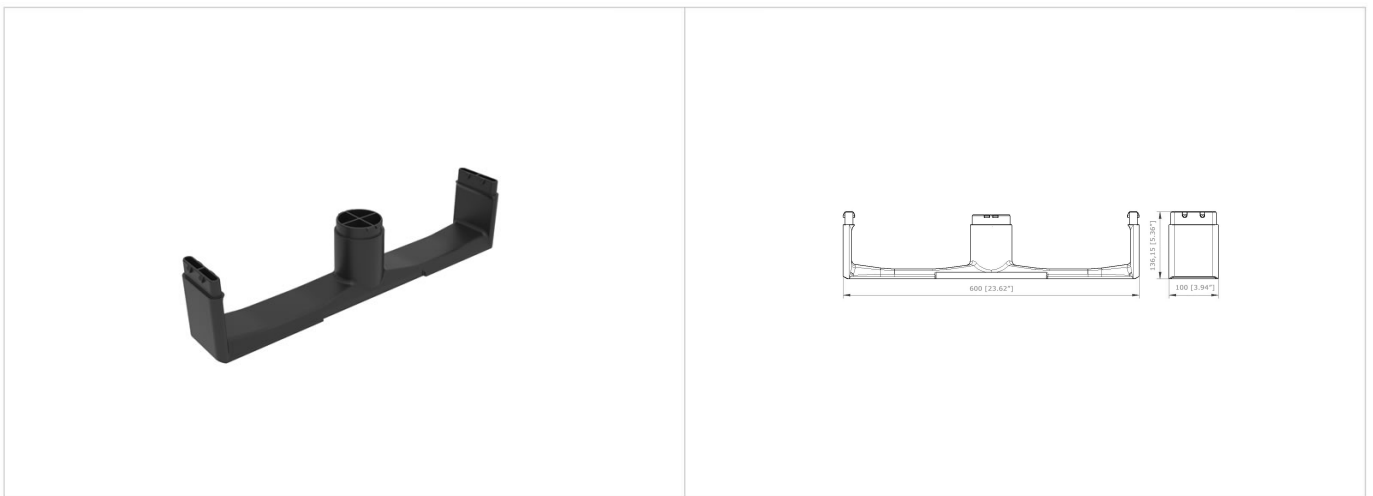


Replacement runner for LOGIC 0806-O3 and LOGIC PRO 0806-O3 products. Thanks to the replacement of the runner, it is possible to extend the life of the pallet indefinitely. Patented system.

## Technical data

Ref	Materials	Weigth	Measures	 Static load* <sup>1</sup>	 Dynamic load* <sup>1</sup>	 Rack load* <sup>1</sup>
LOGIC / PRO 0806-R		0.90 kg [2.00 lb]	-x-xmm [-x-x"]	- kg [- lb]	- kg [- lb]	- kg [- lb]

## Technical drawing



## Iconography legend



0°/40°C [32°/104°F]

- Nortpalet reserves the right to modify any information herein indicated without prior notice.  
 - The specifications can be affected in case of alteration of the product with parts and / or materials different from those approved by the Nortpalet quality department.  
 Any warranty, specification or liability on the part of Nortpalet will be terminated in case of modification of the product with spare parts not supplied by Nortpalet.